



*Engineered to last*

## STANDARD DESIGN 100-500mm

The FSV range of slide valves are used to halt or control the flow of powders or granules from a hopper or conveyor.

Standard designs range from 100mm to 500mm inlet, but much larger valves up to 2000mm can be accommodated on request. Please see our large bespoke slide valve datasheet for more details.

Although square by default, round feed flanges can be accommodated with a simple inlet plate, drilled to suit.



## MANUFACTURED TO ANY SIZE

If the standard valve sizes are not suitable then MID offer a bespoke FSV, manufactured to exactly the dimensions you require.

If you need a custom square, round or rectangular inlet we can design a unit to fit your dimensions exactly. Thin face to face dimensions, custom flange widths etc are all possible.

## CHOICE OF CHEST SEALS

For fine, powdered products we recommend using a stuffing box arrangement with an appropriate choice of seal material to prevent product ingress into the chest area.

Granular products can wear away the chest seal more quickly so we also offer a self adjusting, spring loaded seal arrangement which is more hard wearing and requires less maintenance. These come in hard wearing brass or food grade stainless steel.

## TOO MUCH MAINTENANCE?

For many products, a stuffing box or self adjusting, spring loaded chest seal will suffice, but some very abrasive products can still, over a period of time, work their way into the chest area. With some applications this has no consequence other than the increased maintenance required, but for many weighing applications this causes process errors.

MID offer a totally enclosed slide valve which eliminates chest seal maintenance completely and redirects the leaked product back into the main process flow.

See our TESV datasheet for more details

## ATEX CERTIFICATION

The FSV range is certified by Basseefa for use with explosive products within a Zone 21 / 22 hazardous area classification

	Internal	External
Zone 1/21		
Zone 2/22		

## ONE OR MORE SLIDE PLATES

Some processes require the discharge from a slide valve to be more central rather than opening and closing across the full inlet.

MID offer a made to order, double slide valve with twin slide plates.

For large openings we make valves with multiple slide plates, generally in multiples of two.

## CHOICE OF ACTUATORS

Available with a manual slide with non-rising stem, with pneumatic or hydraulic cylinders or with electric actuator.

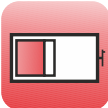
Positioners are available for powered models.



Butterfly



Rotary



Slide



Knifegate



Diverter



Dyris



Ceramic



Specials



Sifter

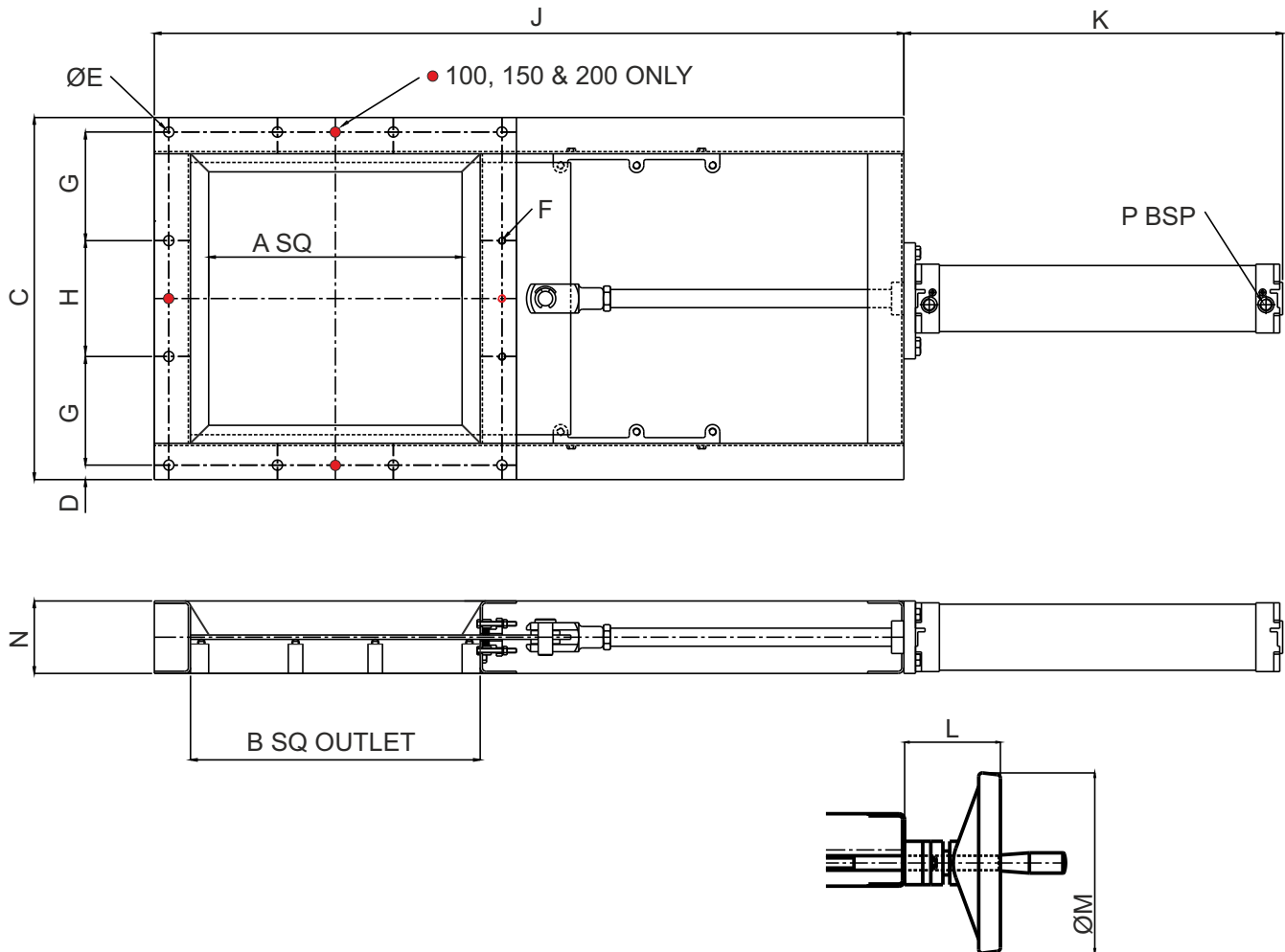


Seals





*Engineered to last*



Size A	B	C	D	E	F	G	H	J	K	L	M	N	P
100	150	250	20	12	M10	-	-	510	231	125	200	100	1/4
150	200	300	20	12	M10	-	-	610	281	125	200	100	1/4
200	250	350	20	12	M10	-	-	710	346	125	200	100	1/4
250	300	400	20	12	M10	120	120	835	408	125	200	100	1/4
300	350	450	20	12	M10	135	140	935	458	125	200	100	1/4
350	400	500	20	12	M10	150	160	1035	508	125	200	100	1/4
400	450	550	20	12	M10	170	170	1135	568	125	200	100	1/4
450	500	600	20	12	M10	185	190	1235	618	125	200	100	1/4
500	550	650	20	12	M10	200	210	1335	668	125	200	100	1/4
600	T O O R D E R												
700													
800													

Midland Industrial Designers Limited

Common Lane, Watnall, Nottingham, England NG16 1HD  
 T: (+44)(0)115 9382154 F: (+44)(0)115 9386315 E: enquiry@mid.uk.com  
 Manufacturers of powder handling equipment since 1959

