

*Engineered to last*

## HANDLES LUMPS

The MVO offset valve is designed to handle free flowing lumpy products, or materials that must not be damaged by the rotor tips.

The product flows into the rotor from the side and as the rotor turns, falls to the bottom of the pocket, keeping it away from the rotor tips where the product might jam the valve or get damaged by the chopping effect of the rotor tips.



## HIGHLY CONFIGURABLE

Along with all the normal options, we can fit chain or direct drives, and for high temperature applications extend the drive, use carbon lubricated or water cooled bearings and high temperature, gas purged shaft seals.

## LIFE EXPECTANCY X 4

Carbon steel and cast iron materials have a limited life when used with abrasive products.

Building more wear resistant materials into the valve drastically reduces your running costs.

Adding 400 wear plate into the valve extends the life by up to a factor of 4 and typically costs no more than an extra 30%

## ATEX CERTIFICATION

The MVO offset range is certified by Basseefa for use with explosive products, both as equipment and as a protective device.

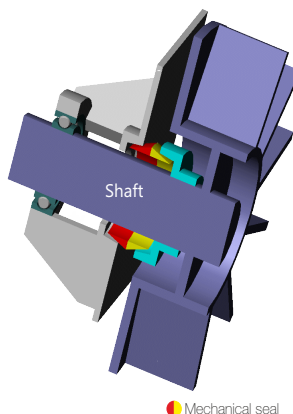
As equipment, the valves are suitable for use with an internal zone 20 atmosphere where an explosive mixture is constantly present. Where explosion isolation is required, they have been tested to 10 bar with St2 category dusts.

	Internal	External
Zone 0/20	✓	✗
Zone 1/21	✓	✓
Zone 2/22	✓	✓
APD	✓	✗

## MECHANICAL SHAFT SEALS

With traditional seals the product pushes past packings and wears the shaft - even the body behind hard facings can wear out. Used for over 25 years, MID's unique mechanical shaft seals are leak tight and maintenance free, dramatically reducing maintenance costs and improving site housekeeping.

## GUARANTEED - NO LEAKAGE



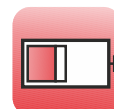
- No maintenance
- Have no loss of product
- Immediately improve housekeeping and health and safety standards
- Eliminate compressed air purge costs
- Extend bearing life



Butterfly



Rotary



Slide



Knifegate



Diverter



Dryis



Ceramic



Specials



Sifter



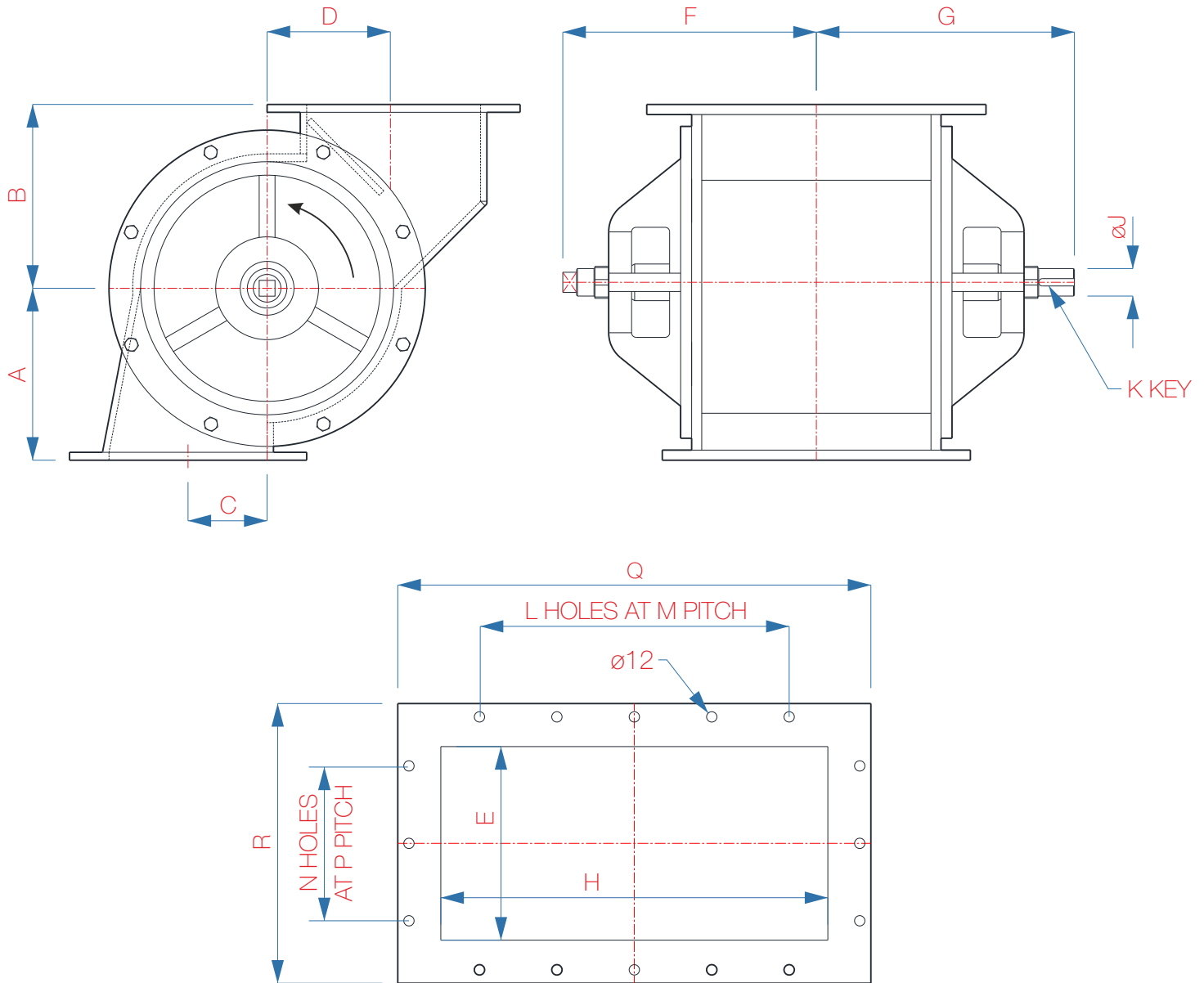
Seals

Midland Industrial Designers Limited

Common Lane, Watnall, Nottingham, England NG16 1HD  
 T: (+44)(0)115 9382154 E: enquiry@mid.uk.com  
 Manufacturers of powder handling equipment since 1959

[www.mid.uk.com](http://www.mid.uk.com)

*Engineered to last*



Size	A	B	C	D	E	F	G	H	J	K	L	M	N	P	Q	R	L/rev	kW
08	140	140	102	127	102	260	273	203	25	8x7	2	152	2	76	279	178	5	0.37
12	197	197	152	178	152	330	375	305	40	12x8	4	89	2	89	406	254	17	0.55
18	279	273	225	270	229	419	482	457	45	14x9	5	89	3	89	559	330	60	1.50

Custom intermediate, smaller and larger versions are also available

Midland Industrial Designers Limited