



Engineered to last

STANDARD SIZES TO 41m³/Hour

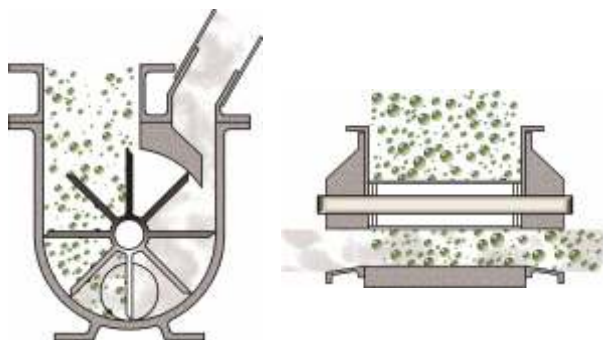
The RBS range is a heavy duty blowing seal, used to introduce abrasive products into a positive or negative pressure, pneumatic conveying system

With far more options available than the BTV, the valve has a far wider range of suitable applications in addition to the increased volumetric capacity.



OPERATION

The product enters the valve and falls into the moving rotor pockets. The rotor transports the product around the valve and directly into the air stream that blows directly through the bottom of the end covers, sweeping the material out of each pocket in turn and into the conveying pipe.



As the product is discharged from the rotor, conveying air can get trapped in the pocket but as the diagram above left shows, the minimum one blade seal between the vent and the product inlet, prevents the air from reaching and interfering with the product inlet.

ATEX CERTIFICATION

The BTV range is certified by Basseefa for use with explosive products, both as equipment and as a protective device.

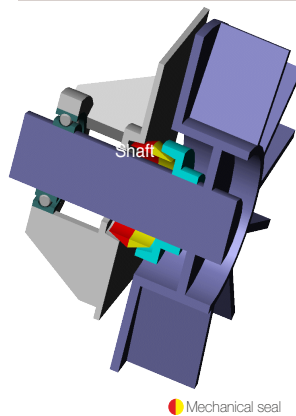
As equipment, the valves are suitable for use with an internal zone 20 atmosphere where an explosive mixture is constantly present. Where explosion isolation is required, they have been tested to 10 bar with St2 category dusts.

	Internal	External
Zone 0/20	✓	✗
Zone 1/21	✓	✓
Zone 2/22	✓	✓
APD	✓	✗

LEAK FREE MECHANICAL SHAFT SEALS

With traditional seals the product pushes past packings and wear the shaft and even the body behind hard facings can wear out. Used for over 25 years, MID's unique mechanical shaft seals are leak tight and maintenance free, dramatically reducing maintenance costs and improving site housekeeping.

Guaranteed not to leak product from the shaft and not to require any routine maintenance



- Have no loss of product
- Immediately improve housekeeping and health and safety standards
- Eliminate compressed air purge costs
- Extend bearing life

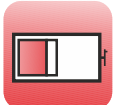
Mechanical seal



Butterfly



Rotary



Slide



Knifegate



Diverter



Dyris



Ceramic



Specials



Sifter



Seals

Midland Industrial Designers Limited

Common Lane, Watnall, Nottingham, England NG16 1HD
T: (+44)(0)115 9382154 F: (+44)(0)115 9386315 E: enquiry@mid.uk.com
Manufacturers of powder handling equipment since 1959

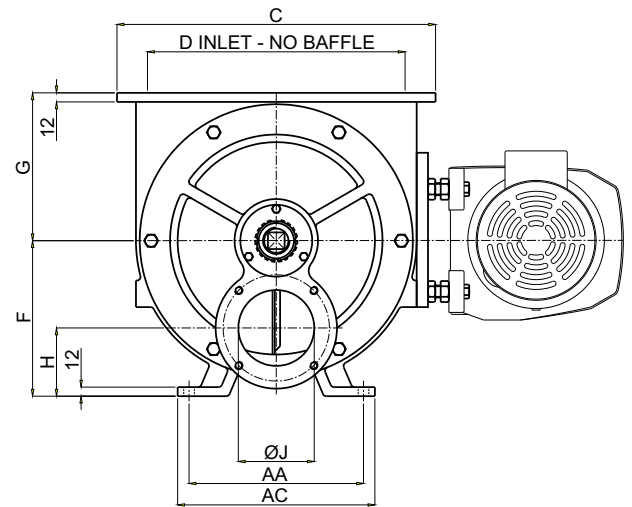
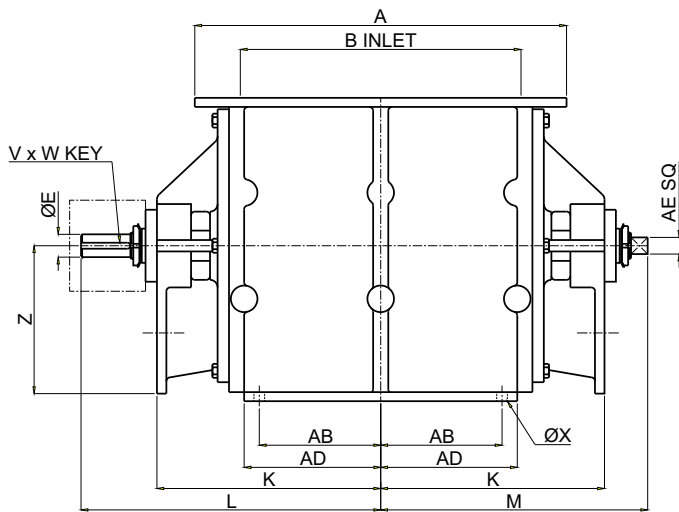
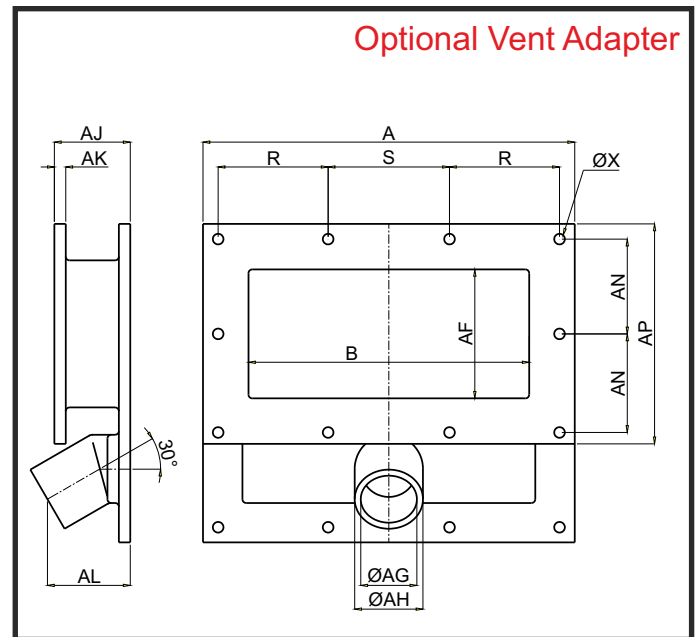
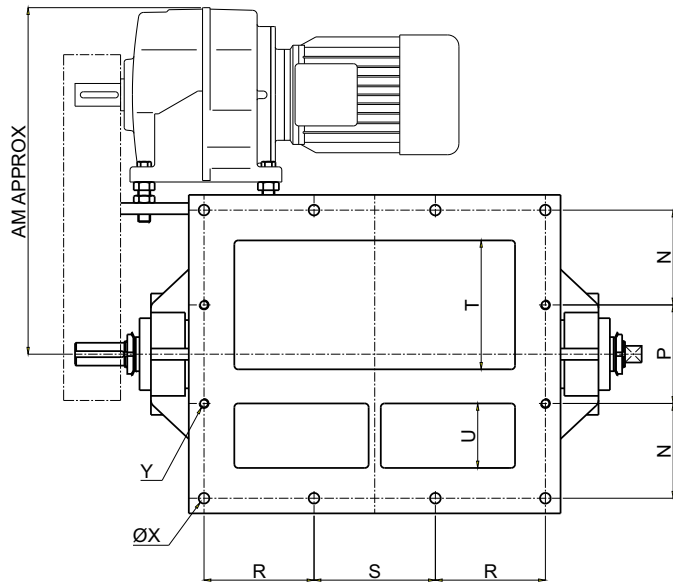
www.mid.uk.com





Rotary Blowing Seal RBS

Engineered to last



Size	A	B	C	D	E	F	G	H	J	K	L	M	N	P	R	S	T	U	V	W
02	310	210	320	220	30	180	152	60	75	227	267	306	97	96	92	96	120	50	8	6
04	390	280	360	250	30	180	170	80	75	250	285	345	110	110	120	120	140	70	8	6
08	490	370	420	300	30	205	195	90	100	295	330	395	125	130	145	160	170	85	8	6
12	500	380	470	350	40	245	225	105	125	305	340	420	145	140	150	160	200	100	12	8

Size	X	Y	Z	AA	AB	AC	AD	AE	AF	AG	AH	AJ	AK	AL	AM	AN	AP	l/rev	ft ³ /rev
02	12	M10	175	180	85	210	100	22	120	48	63	80	12	90	267	95	220	5.7	0.2
04	12	M10	168	200	120	230	135	22	140	60	76	90	12	95	386	110	250	11.4	0.4
08	14	M10	195	230	160	260	180	22	170	74	90	100	15	123	457	125	290	22.8	0.8
12	14	M12	235	260	165	300	185	30	200	84	100	110	15	135	600	140	320	34.3	1.2

Midland Industrial Designers Limited

Common Lane, Watnall, Nottingham, England NG16 1HD
 T: (+44)(0)115 9382154 F: (+44)(0)115 9386315 E: enquiry@mid.uk.com
 Manufacturers of powder handling equipment since 1959

www.mid.uk.com

