

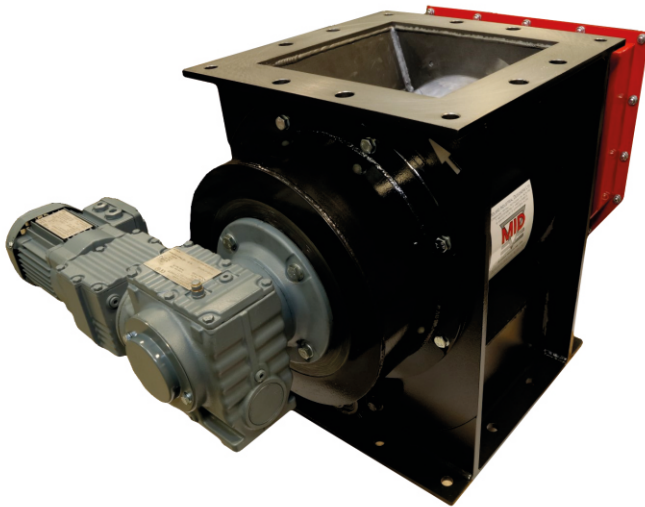


Rotary Valves Self Cleaning

Engineered to last

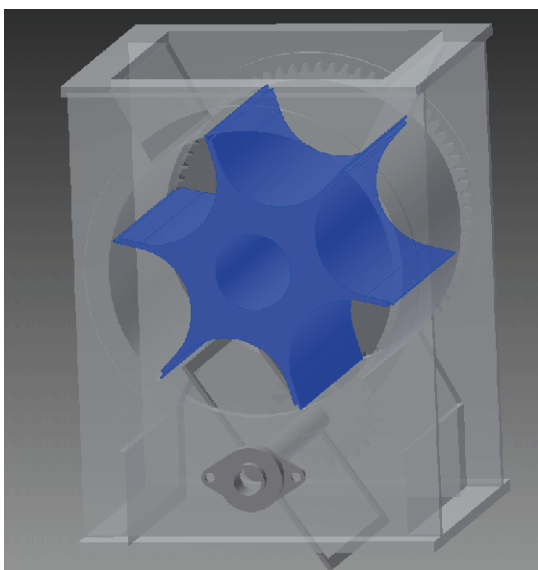
STICKY PRODUCTS

MID's range of self cleaning rotary valves are ideal for products that would otherwise stick all over the inside of the valve body and rotor, blinding the pockets and potentially blocking the valve, for example where oily seeds are handled such as sunflower seeds, soya, green coffee beans or mortar.



ROTATING PADDLE CLEANS POCKETS

The cleaning paddle is driven by the main rotor via splash lubricated synchronised gearing. As each of the scalloped pockets passes the outlet, the paddle 'wipes' the pocket clean, with minimal clearance, ensuring the pocket is empty and ready to be reloaded with product.



ATEX CERTIFICATION

The MVSC range have been certified by Baseefa for use with potentially explosive dusts where an internal zone 20 atmosphere is permanently present.

	Internal	External
Zone 0/20	✓	✗
Zone 1/21	✓	✓
Zone 2/22	✓	✓
APD	✗	✗

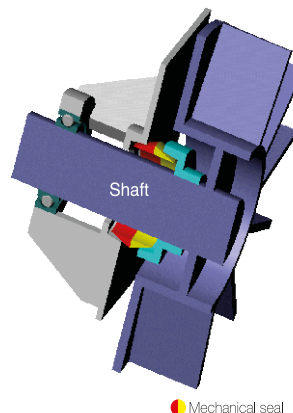
MANUFACTURED TO SUIT

Available in carbon steel, stainless and 400 wear plate for added wear resistance and extended life. As well as standard sizes, custom designed units can also be easily made.

MECHANICAL SHAFT SEALS

With traditional seals the product pushes past packings and wear the shaft and even the body behind hard facings can wear out. Used for over 25 years, MID's unique mechanical shaft seals are leak tight and maintenance free, dramatically reducing maintenance costs and improving site housekeeping.

GUARANTEED - NO LEAKAGE



- Zero Maintenance
- Have no loss of product
- Immediately improve housekeeping and health and safety standards
- Eliminate compressed air purge costs
- Extend bearing life

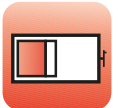
Mechanical seal



Butterfly



Rotary



Slide



Knifegate



Diverter



Dyris



Ceramic



Specials



Sifter



Seals

Midland Industrial Designers Limited

Common Lane, Watnall, Nottingham, England NG16 1HD
 T: (+44)(0)115 9382154 E: enquiry@mid.uk.com
 Manufacturers of powder handling equipment since 1959

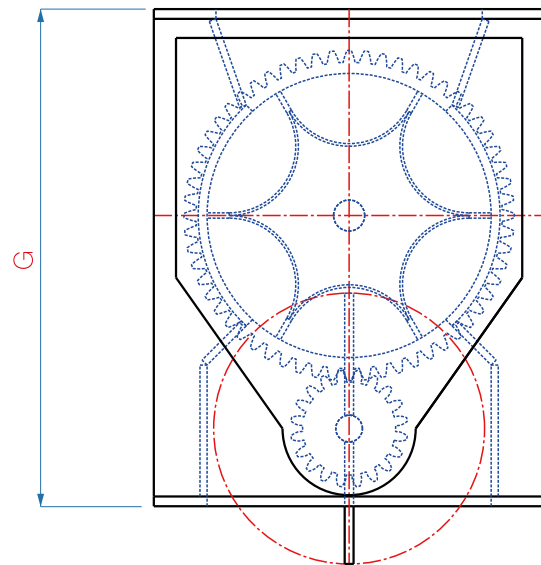
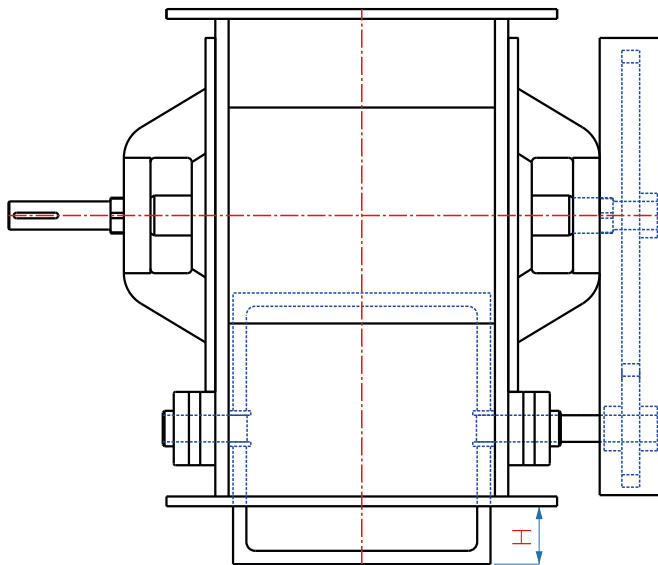
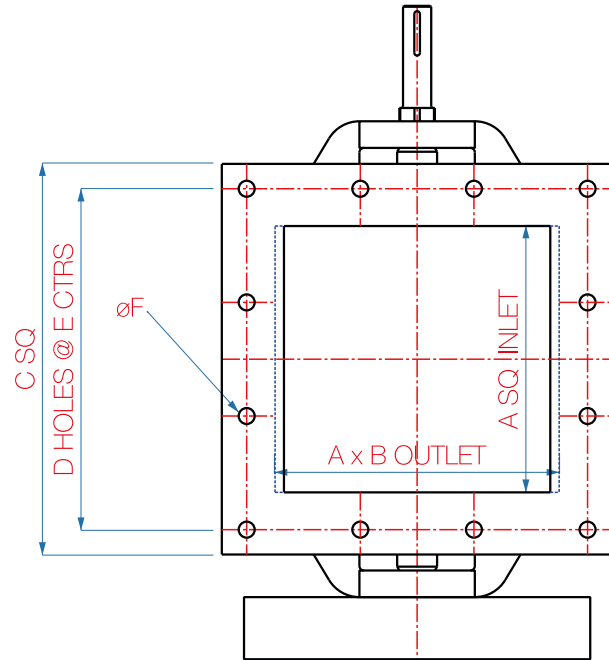
www.mid.uk.com





Rotary Valves Self Cleaning

Engineered to last



Size A	B	C	D	E	F	G	H	L/rev
150	160	220	3	95	12	277	35	1.75
200	220	300	3	130	13	380	50	4.3
250	270	355	4	107	15	465	55	8.5
300	320	440	4	128	18	560	65	14.5
350	375	515	4	150	21	650	76	22.5
400	430	590	4	170	18	750	90	35
500	500	650	4	200	18	845	85	64
600	645	885	4	255	27	1124	135	98

Other sizes designed on request

Midland Industrial Designers Limited

Common Lane, Watnall, Nottingham, England NG16 1HD
 T: (+44)(0)115 9382154 E: enquiry@mid.uk.com
 Manufacturers of powder handling equipment since 1959

www.mid.uk.com

