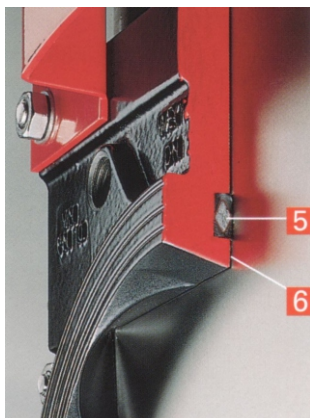
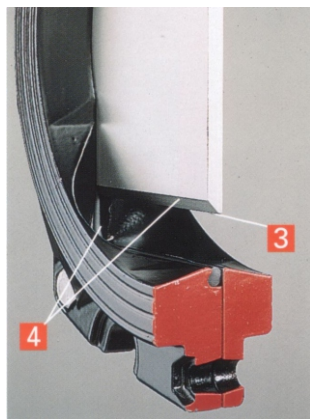
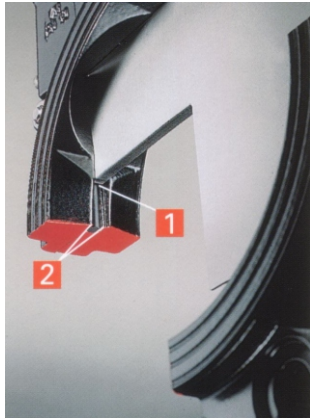




STANDARD DESIGN 200-600mm

Also available in round profiles with a range of actuation options, from manual lever, manual handwheel, pneumatic, hydraulic and electric



Applications

- Heavy duty sealing for abrasive powders and granules
- Soft seat for products with a moisture content and fluids
- Viscous fluids, pastes, chemical waste
- Large range of body and seal materials for chemical compatibility
- Spares available for older 'Reiss' type valve

Standard Features

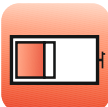
- 1** Tight shut-off using the edge seal along the side of the plate. The seal is mechanically retained and self-cleaning. It is also out of the product flow, increasing the longevity of the seal.
- 2** Gate guides ensure flutter and noise free operation.
- 3** Blade tip machined to shear off any remaining solids.
- 4** Gate geometry prevents jamming by pushing the product into specially enlarged flushing corners.
- 5** The unique transverse seal eliminates the high-maintenance stuffing box. The special profile compensates for wear and is fitted with scrapers to prevent product build up on the blade. The seal can be re-packed with the valve under pressure.
- 6** Minimised chest area has no space for jamming due to product build-up.



Butterfly



Rotary



Slide



Knifegate



Diverter



Diyris



Ceramic



Specials



Sifter



Seals

Midland Industrial Designers Limited

Common Lane, Watnall, Nottingham, England NG16 1HD
T: (+44)(0)115 9382154 F: (+44)(0)115 9386315 E: enquiry@mid.uk.com
Manufacturers of powder handling equipment since 1959

www.mid.uk.com





STANDARD SPECIFICATION

DN 200 - 600

Standard construction

Valve operated by double acting pneumatic cylinder * supply pressure 6 – 8 bar

Material: on request

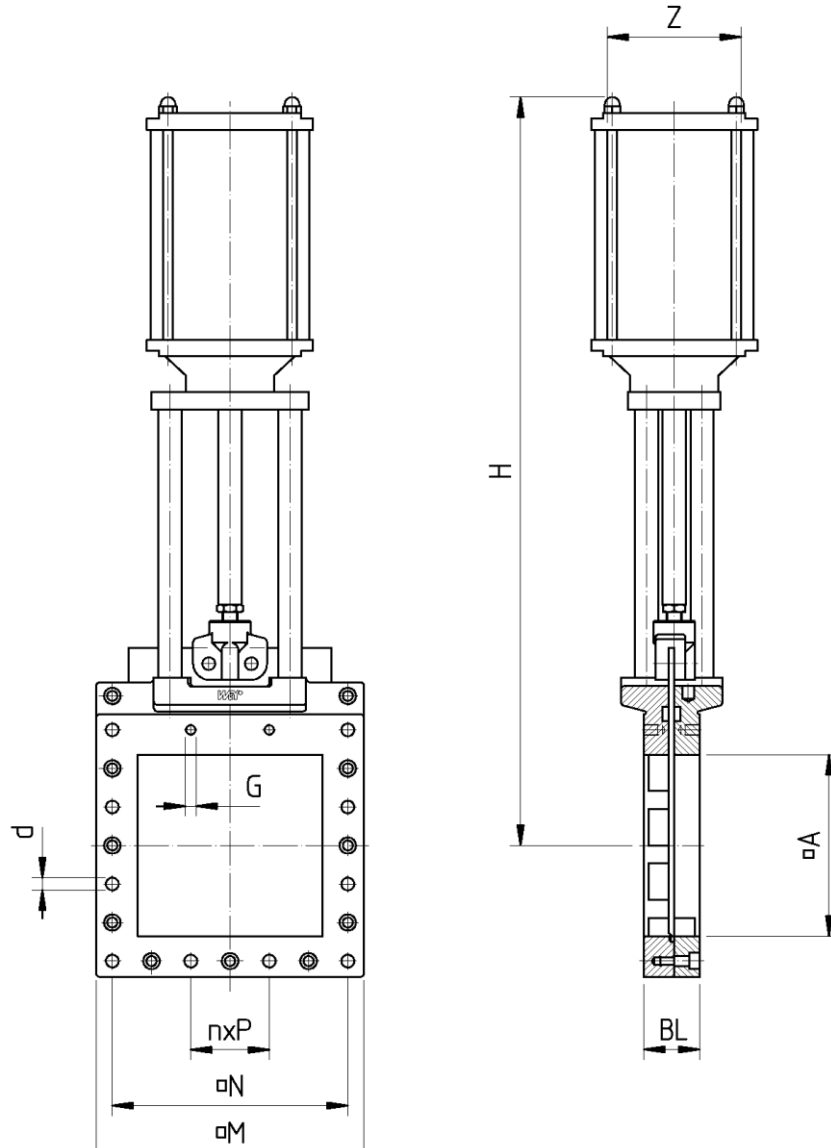
Coating: on request

Flange drilling: see table

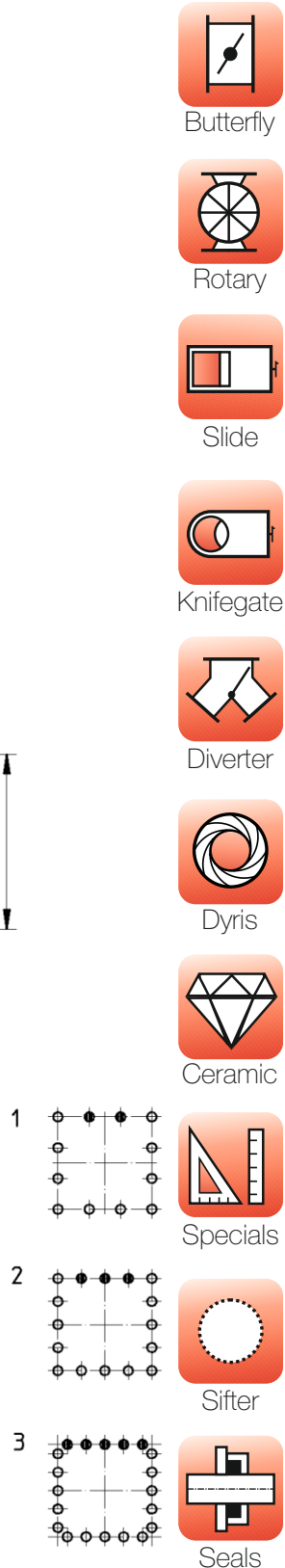
Face-to-face dimension: see table

Pressure rating: 2,5 bar

Test pressure acc. to DIN 3230 part 3
Leakage rate 1



DN	D	K	BL	H	DH	ø	T	Qty screws	⊕	⊕	WP max. bar	Weight (kg)
50	165	125	43	328	150	M16	17	4	4	–	10	7
65	185	145	46	340	150	M16	17	4	4	–	10	8
80	200	160	46	358	200	M16	17	8	4	4	10	9
100	220	180	52	411	200	M16	20	8	4	4	10	12
125	250	210	56	452	200	M16	22	8	4	4	10	14
150	285	240	56	526	300	M20	21	8	4	4	10	22
200	340	295	60	606	300	M20	23	8	4	4	10	29
250	395	350	68	696	300	M20	19	12	6	6	6	40
300	445	400	78	792	400	M20	23	12	6	6	6	65
350	505	460	78	905	400	M20	20	16	8	8	4	89
400	565	515	102	987	400	M24	28	16	6	10	4	115



Midland Industrial Designers Limited

