



Rotary Valves

MVX wear resistant

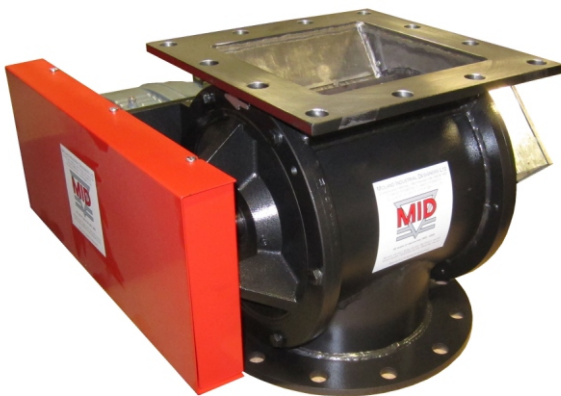
Engineered to last

ADDING WEAR RESISTANCE

The MVX range is designed to be made from wear resistant materials in the areas of the valve that commonly wear out the fastest.

Carbon steel and cast iron materials have a limited life when used with abrasive products.

Building more wear resistant materials into the valve drastically reduces your running costs.



ATEX CERTIFICATION

The MVX range is certified by Basseefa for use with explosive products, both as equipment and as a protective device.

As equipment, the valves are suitable for use with an internal zone 20 atmosphere where an explosive mixture is constantly present. Where explosion isolation is required, they have been tested to 10 bar with St2 category dusts.

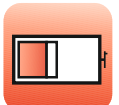
	Internal	External
Zone 0/20	✓	✗
Zone 1/21	✓	✓
Zone 2/22	✓	✓
APD	✓	✗



Butterfly



Rotary



Slide



Knifegate



Diverter



Dyris



Ceramic



Specials



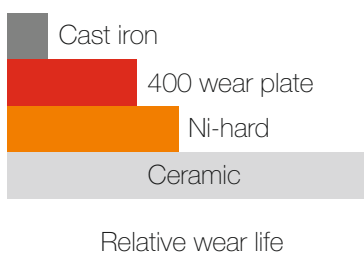
Sifter



Seals

LIFE EXPECTANCY X 4

Adding 400 wear plate quadruples valve life, compared to a cast iron or carbon steel valve, simply by virtue of the relative hardness of the materials used.



COSTS ONLY 30% MORE

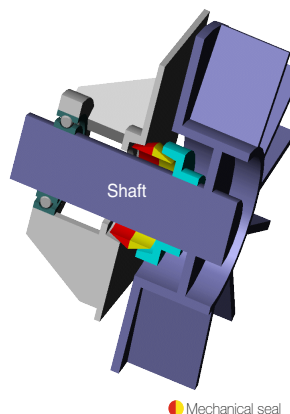
A valve that needed replacing every year, now only needs to be removed once every 4 years - reducing stoppages, lowering running costs and increasing productivity.

Combined with MID's mechanical shaft seals makes a hard wearing, reliable, low cost unit, for only an additional 30%.

MECHANICAL SHAFT SEALS

With traditional seals the product pushes past packings and wears the shaft - even the body behind hard facings can wear out. Used for over 25 years, MID's unique mechanical shaft seals are leak tight and maintenance free, dramatically reducing maintenance costs and improving site housekeeping.

GUARANTEED - NO LEAKAGE



- No maintenance
- Have no loss of product
- Immediately improve housekeeping and health and safety standards
- Eliminate compressed air purge costs
- Extend bearing life

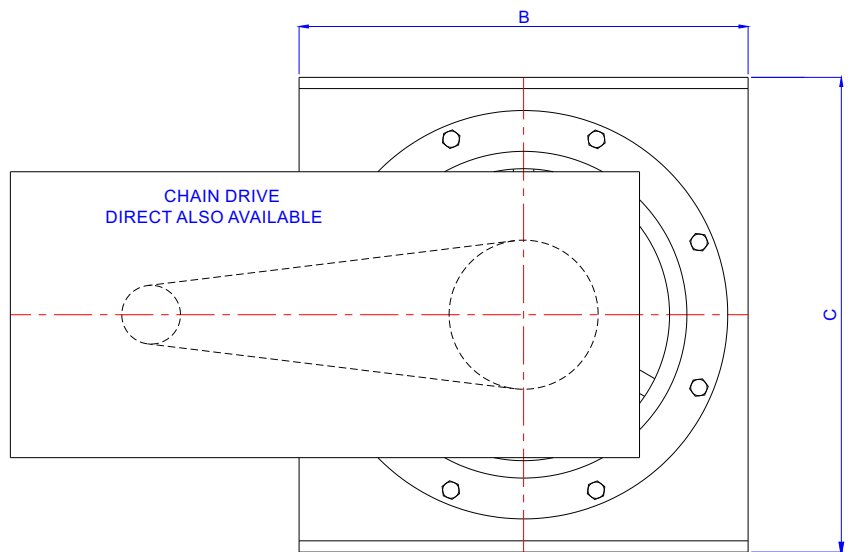
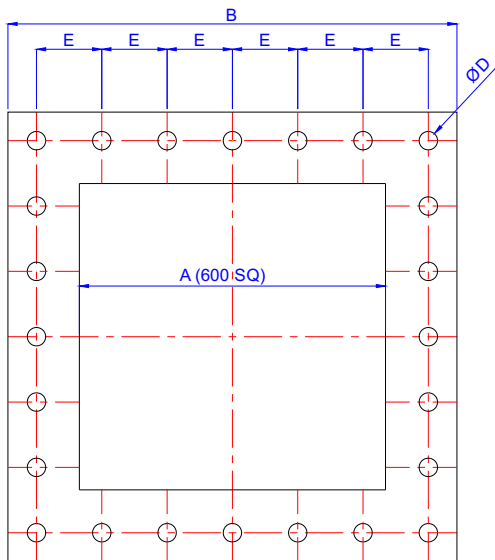
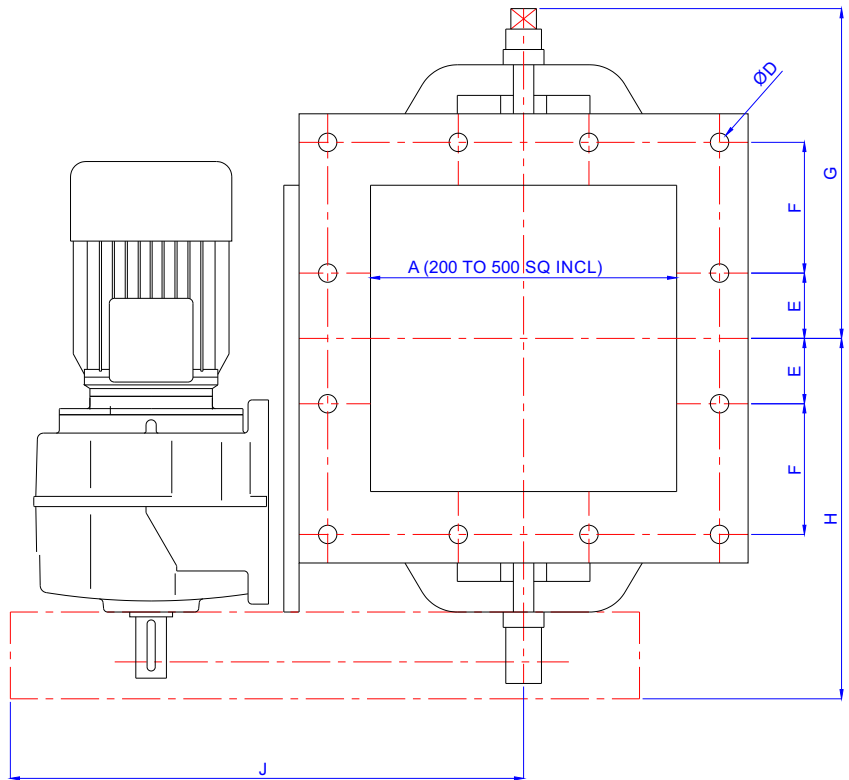
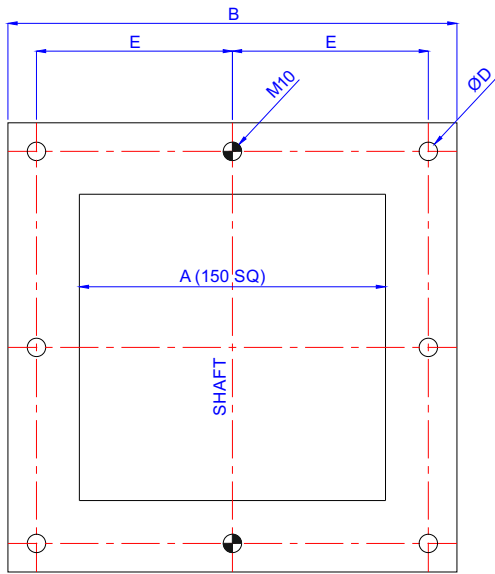
Mechanical seal

Midland Industrial Designers Limited

Common Lane, Watnall, Nottingham, England NG16 1HD
 T: (+44)(0)115 9382154 F: (+44)(0)115 9386315 E: enquiry@mid.uk.com
 Manufacturers of powder handling equipment since 1959

www.mid.uk.com



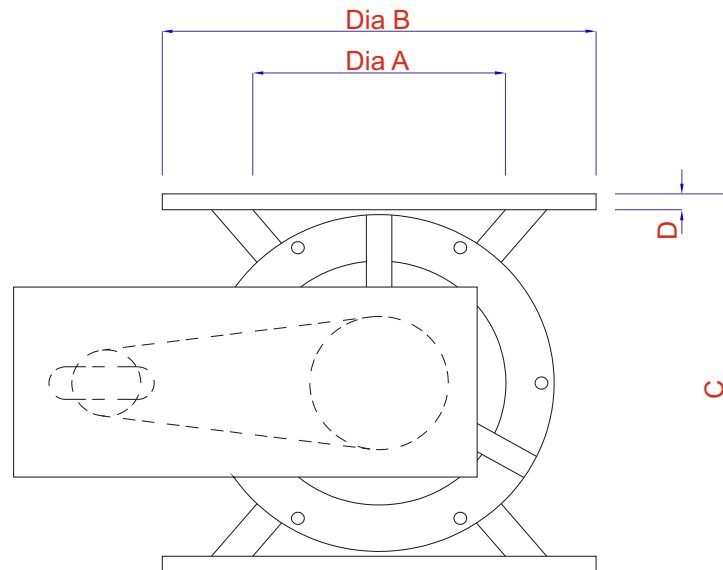
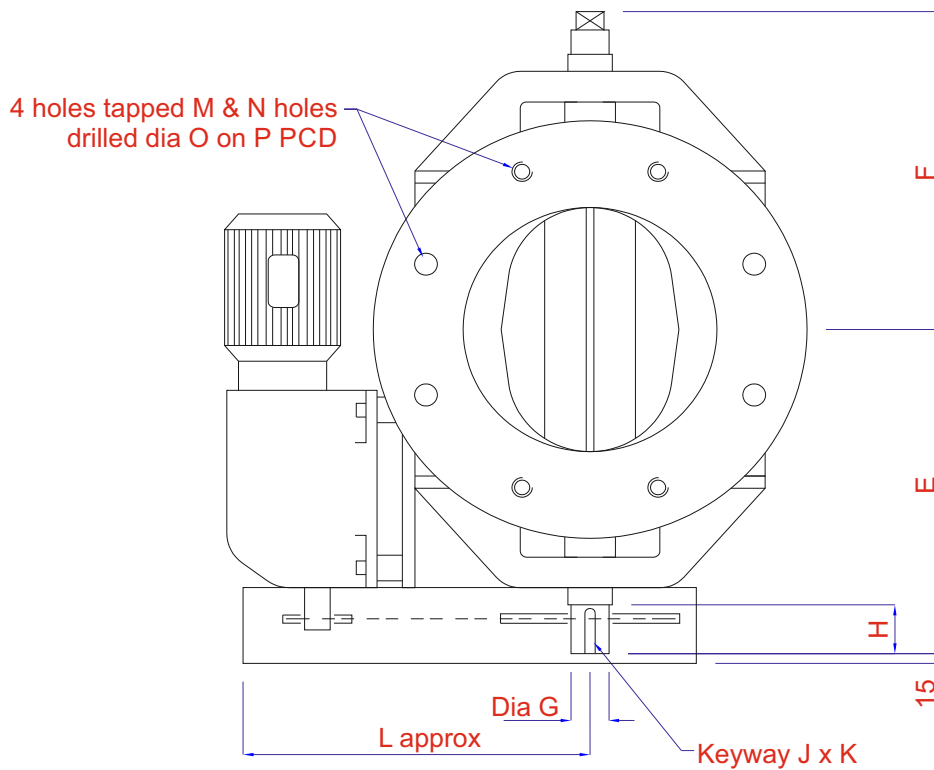


SIZE A	B SQ	C	D	E	F	G	H	J	l/rev	kW
150	280	250	12	115	-	213	233	354	2.5	0.12
200	300	310	12	45	90	260	280	400	6.2	0.37
250	370	388	18	54	108	275	292	450	12.2	0.55
300	440	465	18	64	128	323	353	503	20.6	0.75
350	490	520	14	75	145	348	382	536	32.5	1.1
400	550	580	18	85	170	385	425	585	49.5	1.5
450	600	640	18	90	180	378	419	620	61	1.5
500	650	670	18	100	200	447	515	635	92	2.2
600	800	770	18	148	-	633	654	685	140	3.0

Larger valves designed and built to order

Midland Industrial Designers Limited

Engineered to last



Size	A	B	C	D	E	F	G	H	J	K	L	M	N	O	P	ft ³ /rev	l/rev	kW
150	150	280	250	12	228	223	22	35	6	3.5	298	16	4	18	225	0.088	2.5	0.12
200	200	342	310	13	265	260	30	40	8	4	362	16	4	18	280	0.22	6.2	0.37
250	250	406	380	15	292	287	30	40	8	4	395	16	8	18	335	0.50	12.0	0.55
300	300	482	450	18	352	337	35	55	10	5	480	20	8	23	395	0.73	20.6	0.75
350	350	533	520	18	377	362	35	55	10	5	520	20	8	23	445	1.15	32.5	1.10
400	400	596	580	20	414	399	40	55	12	5	585	20	12	23	495	1.75	49.5	1.50
500	500	698	670	20	465	450	50	55	12	5	690	20	16	23	600	3.24	91.7	2.20

Larger valves designed and built to order

Midland Industrial Designers Limited